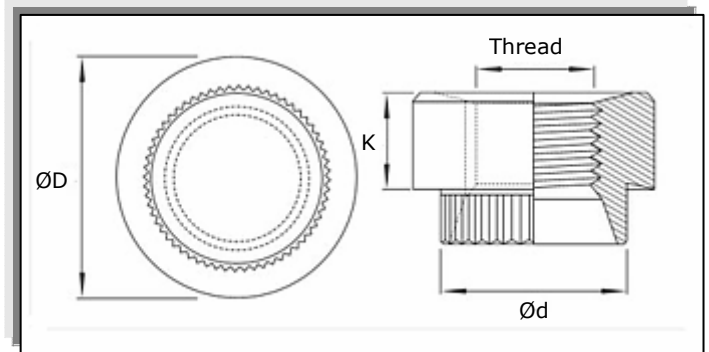
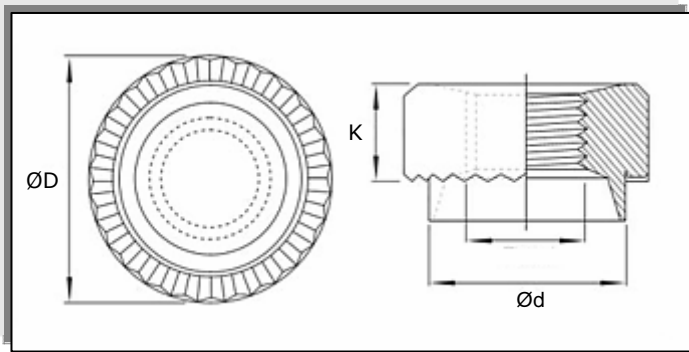




Cambridge *Engineering* Services Ltd

Tel 01767 699766 Fax 01767 692058



Data sheet for Metric Mini Round Rivet Bushes

Thread Pitch	Sheet Thickness	ØD +/- 0.13	K +/- 0.13	Ød +0.00 -0.13	Hole Size +0.01 -0.00
M3 x 0.5	20-10 SWG 1.0-3.0mm	5.55	2.79	4.19	4.19
M3.5 x 0.6 *	20-10 SWG 1.0-3.0mm	7.00	3.19	5.40	5.41
M4 x 0.7	20-10 SWG 1.0-3.0mm	7.00	3.19	5.40	5.41
M5 x 0.8	20-10 SWG 1.0-3.0mm	8.50	3.79	6.40	6.40
M6 x 1.0	20-10 SWG 1.0-3.0mm	10.00	5.11	7.70	7.70
M8 x 1.25 *	20-10 SWG 1.0-3.0mm	12.00	6.40	9.70	9.70

* Made to order

Installation Guide

Finishes

Bright Zinc / Clear Passivate,
Zinc / Yellow Chromate Passivation

Material

Carbon Steel, Stainless Steel
Aluminium (to order), Brass (to order)

