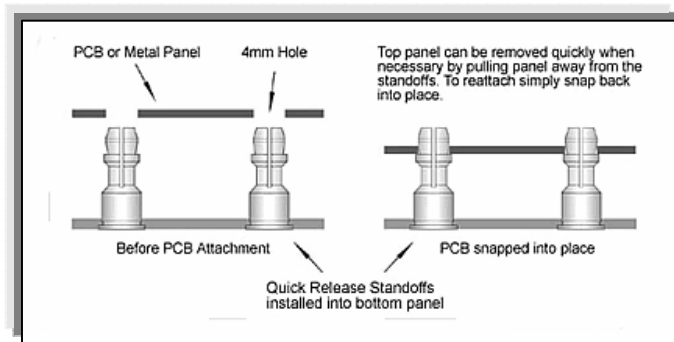


Data sheet for Quick Release Standoff

ØD Nom	B Max	E +/- 0.13	H +/- 0.13	Length (L) +/- 0.13								
6.35	5.38	3.58	4.77	8	10	12	14	16	18	20	22	25



Mounting hole in Top Panel +/- 0.08	Mounting hole in Bottom Panel +/- 0.08	Material	Thickness Range
4mm (6.6mm min Ctr to panel edge)	5.40 (2.54mm min Ctr to panel edge)	Metal or PCB	1.00-1.80

Finishes

Bright Zinc / Clear Passivate, other finishes to order

Material

Carbon Steel (to order), Stainless Steel (A2), Aluminium (to order)

Material hardness limitations for Self-Clinching Keyhole Stand-Off

Steel Quick Release Stand-Offs : 80HRB Max, Stainless Steel Quick Release Stand-Offs: 70HRB Max,
 Aluminium Quick Release Stand-Offs : 50HRB Max

Stainless Steel parts will not normally install successfully into Stainless Steel sheet.

